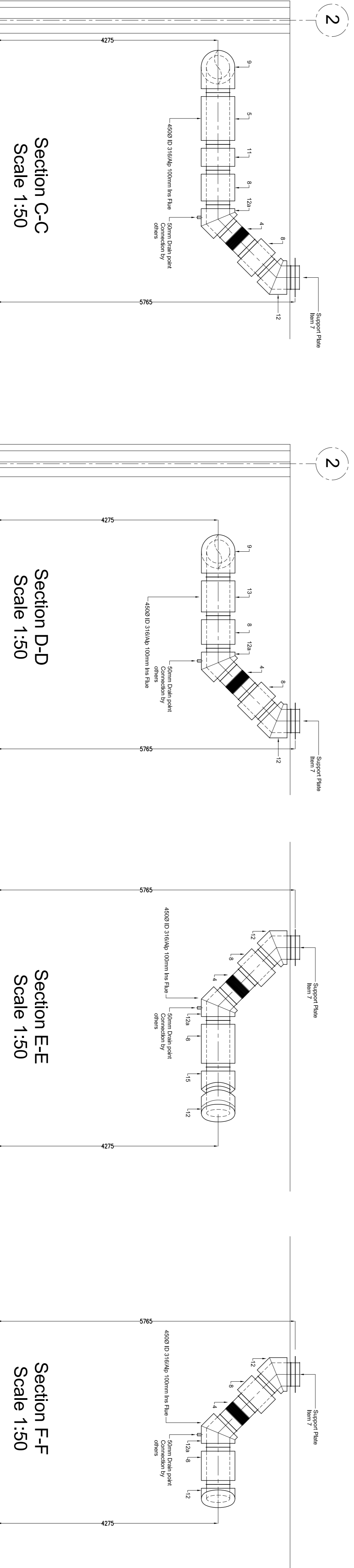
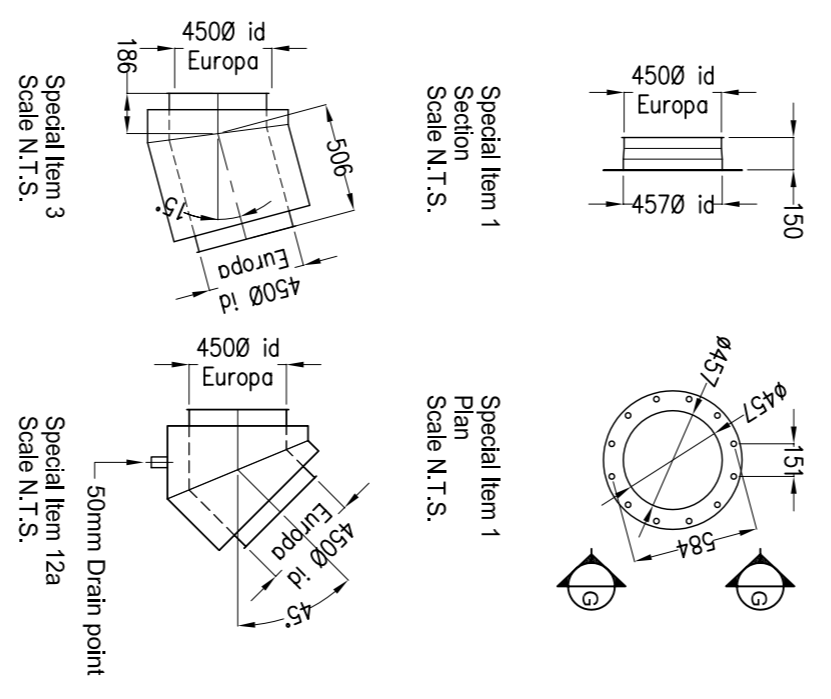
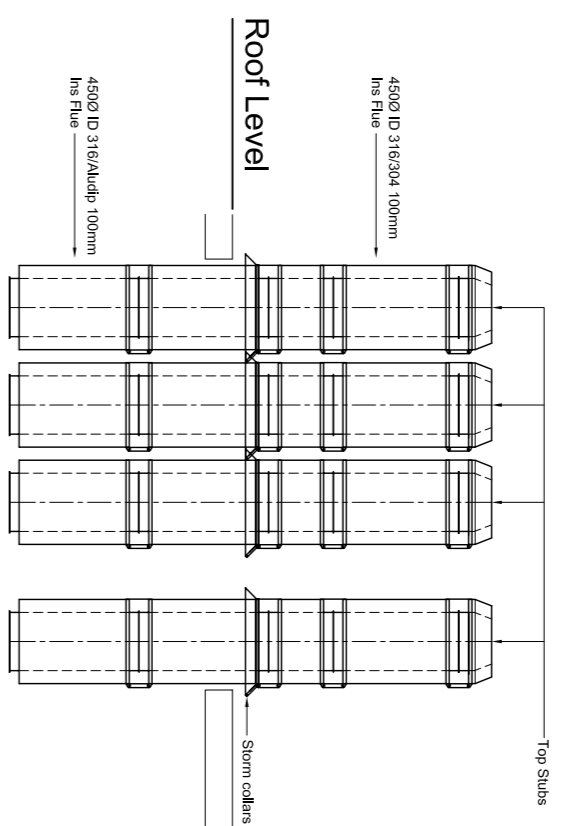
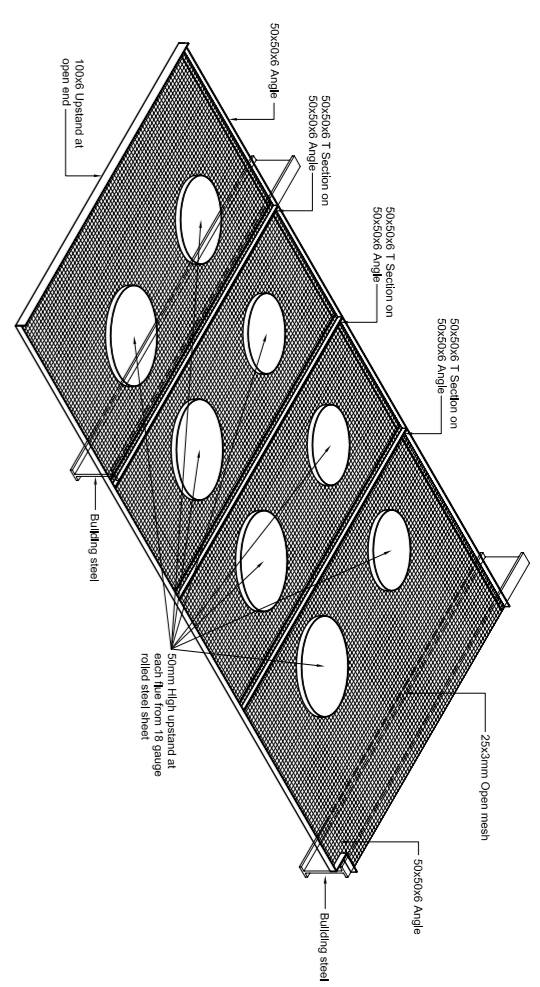
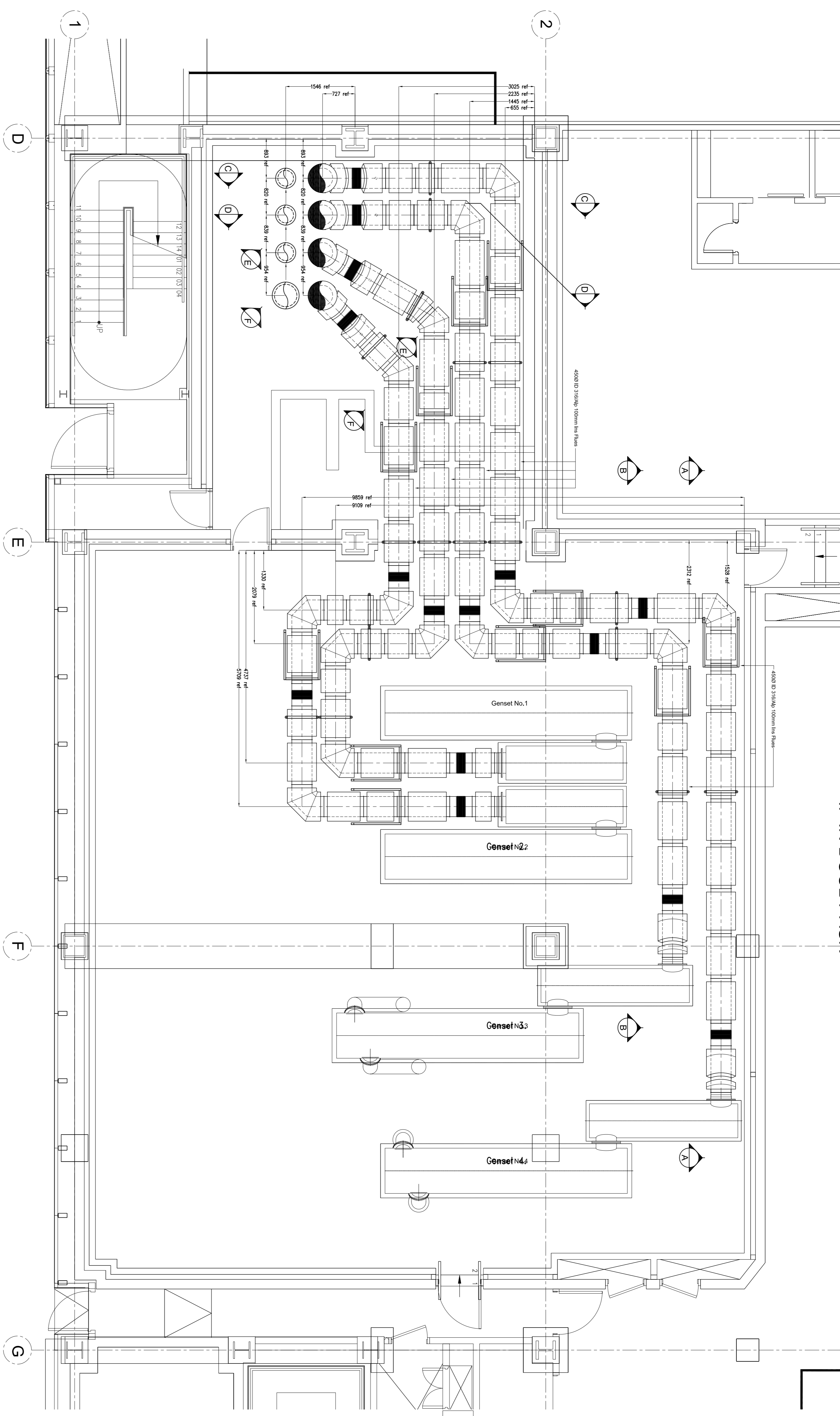


IF IN DOUBT ASK



THIS DRAWING IS STRICTLY CONFIDENTIAL & MUST NOT BE COPIED OR LOANED WITHOUT WRITTEN CONSENT & REMAINS AT ALL TIMES PROPERTY OF RUNG HEATING SUPPLIES LIMITED

REV	DATE	DESCRIPTION OF CHANGE
REVISIONS		
SITE: Example Drawing		
TITLE: Generator Flue System Installation Plan & Sections C-C & D-D E-E & F-F		
CLIENT: RUNG HEATING SUPPLIES LIMITED UNIT 4A, MARSH LANE, HENSTRIDGE TRADING ESTATE, BA8 0TG TEL: 01963 364600 FAX: 01963 364138		
SCALE: 1:50 & N.T.S. @ A1	CHECKED: J.I.M.	DRAWN: J.I.M.
DATE: February 2011		
DWG. No.: JIM-C-20-02-08-11	REV:	

